
STEERING EFFORT SENSOR

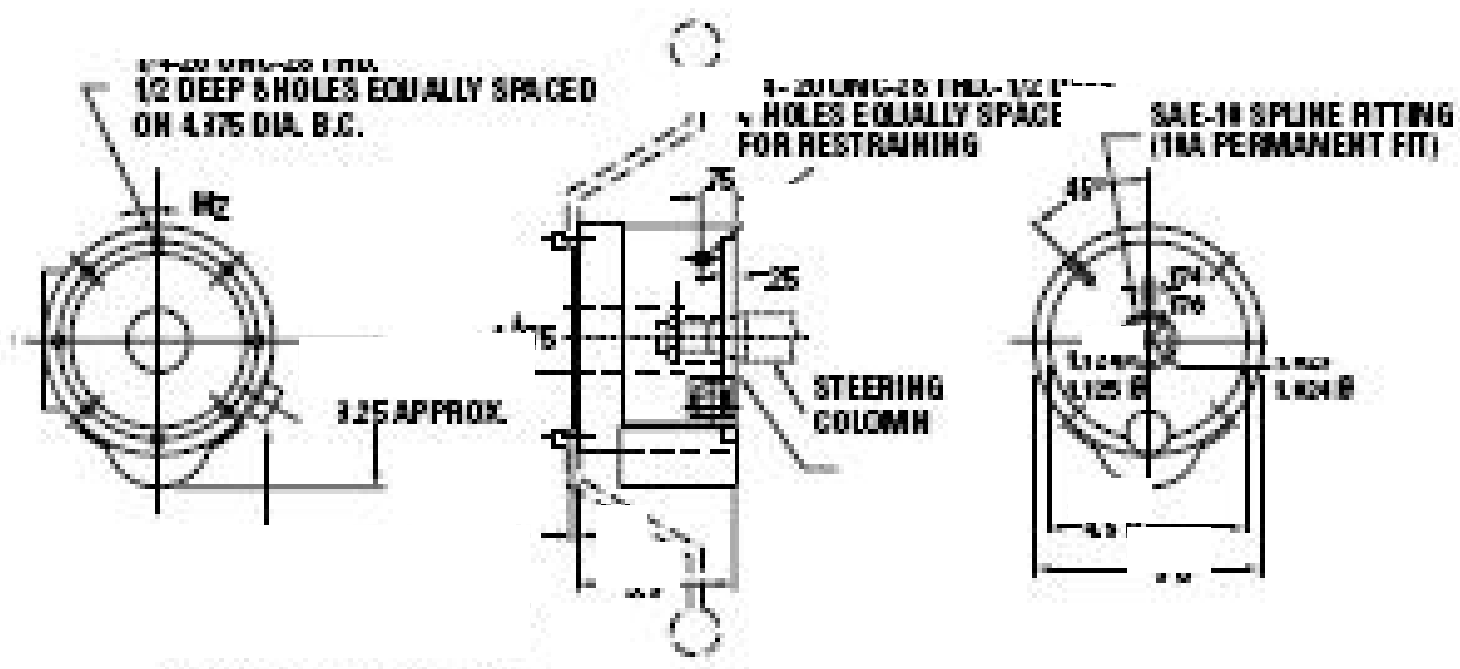
FEATURES:

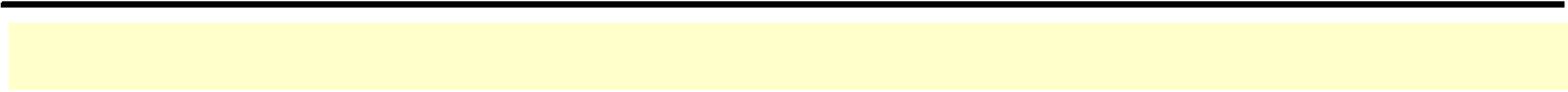
Direct to steering column attachment

True steering torque-feedback for automobiles, Cars, trucks, buses and material handling equipment.

Custom designs & other versions are also available as per your requirement







MODEL NUMBER	CAPACITY	PROTECTED FOR OVERLOADS TO
	Nm	Nm
ST 1	70	115
ST 2	150	225
ST 3	300	450